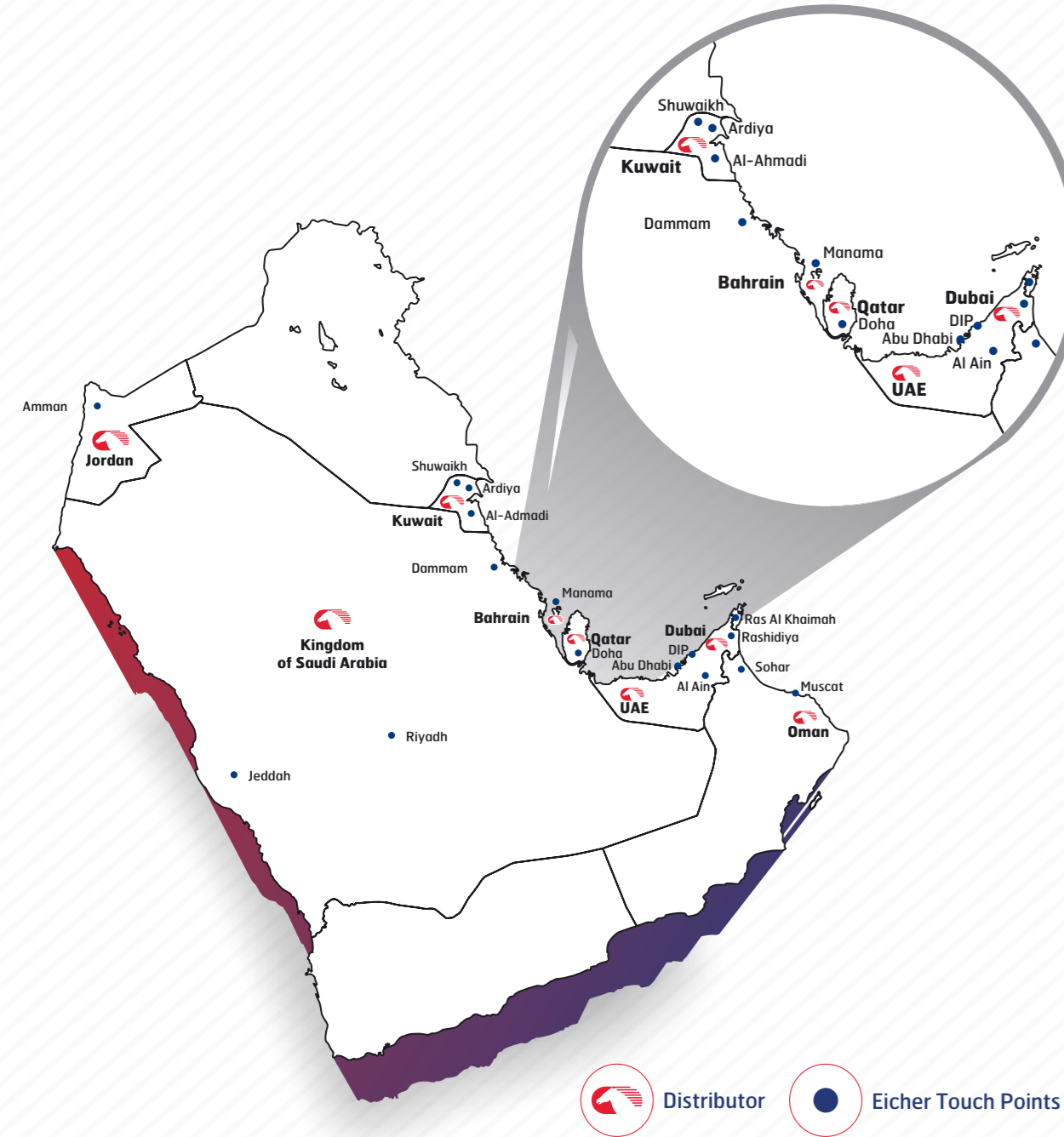


MIDDLE EAST NETWORK



AFTER MARKET ASSURANCE

The point of sale is just the beginning of the relationship, which is a commitment to partner the customer right through the entire life cycle of the vehicle.

SERVICE ASSURANCE

COUNTRYWIDE NETWORK
Eicher promises to deliver customer service with unmatched reliability & quality of repairs through our country's dealer network.

TRAINED WORKFORCE

To maintain service quality standards, the workshop teams are trained and certified by Eicher for diagnostics skills and exhaustive knowledge of all our products.

STATE-OF-THE-ART WORKSHOP

Workshops are equipped with all modern equipment for quick service and comprehensive diagnostic system.



PARTS ASSURANCE

PARTS AVAILABILITY

Eicher Parts distributors ensure speedy parts supply and minimum delays in delivery to our customers.

PARTS WARRANTY

With a vision to ensure 100% customer satisfaction Eicher extends a warranty along with Eicher Genuine Parts through its distributors.

SUPPORT AGGREGATES

To ensure higher uptime of vehicles, Eicher workshops are equipped with support aggregates.



EICHER ON ROAD SERVICE

Eicher Dealers are equipped with Mobile Service Vans to ensure quick response

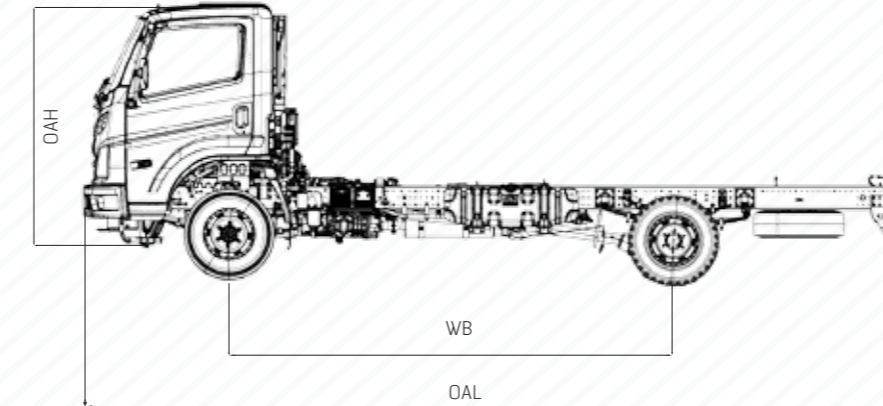
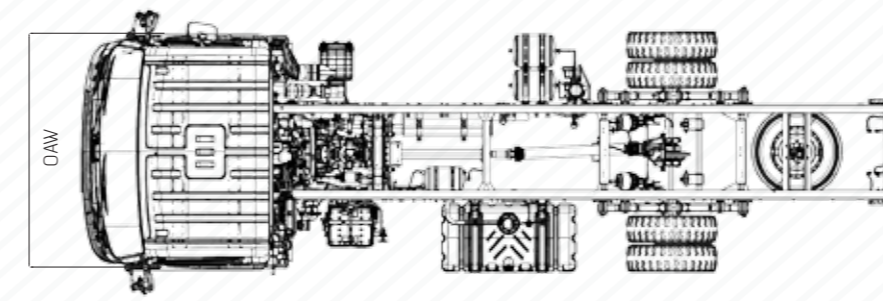
24x7 Eicher call center to support operator incase vehicle stands immobilized enroute

Fully-equipped dealer team ensures quick resolution by enroute breakdown assistance



SPECIFICATIONS Eicher Pro 2080XP

| | |
|--------------------------|---------------------------------------------------------------------------------------------------|
| GVW (kg) | 8.500 (8.5T) |
| Wheelbase (mm) | 3975 |
| Front Overhang (mm) | 1200 |
| Rear Overhang (CBC) (mm) | 2065 |
| Cargo Body Length (ft) | 18 |
| Engine Type | E474 EURO IV |
| Max. Power | 150 hp @ 3200 rpm |
| Max. Torque | 400 Nm @ 1200-2500 rpm |
| Clutch Type | Push type |
| Gearbox | ET35S6 |
| Rear Axle | Fully floating banjo type |
| Chassis Type | Joggle frame |
| Suspension | Front - Semi-elliptical + Shock Abs Rear - Semi-elliptical with Helper spring + Shock Absorber |
| Steering | Hydraulic power steering tilt & telescopic, |
| TCD (m) | 11.5 |
| Gradiability (%) | 41 |
| Max Speed (kmph) | 88 |
| Fuel Tank (L) | 190 |
| Battery | 24V - 75A |
| Tyre | 8.25X16-16PR |



| Vehicle Model | Wheelbase (WB) mm | Overall Length (OAL) mm | Overall Width (DAW) mm | Overall Height (OAH) mm |
|---------------|-------------------|-------------------------|------------------------|-------------------------|
| Pro2080XP CBC | 3975 | 7240 | 2545 | 2320 |
| Pro2080XP DSD | 3975 | 7455 | 2545 | 2320 |



Market Load



Agriculture



Reefer/Chiller



Cylinder Distribution



FMCG



Furniture



Bottle Carrier



Bakery & Bread



Recovery Van

VE COMMERCIAL VEHICLES
A VOLVO GROUP AND EICHER MOTORS JOINT VENTURE
eichertrucksandbuses.com, Eicher Care: 1800 102 3531

Authorized Distributor

CORPORATE ADDRESS
Eicher Trucks & Buses
#96, Sector - 32, Gurgaon
122001, Haryana, India.

Caution: *Do not weld or drill on chassis frame. *Accessories and features shown in pictures or elsewhere may not constitute standard fitment. *Weight mentioned is for standard configuration with standard body sizes and will change due to optional fitments. *As a result of continuous research and innovation carried out, specifications are merely indicative and are subject to change without notice.

TRUCKS AND BUSES



SMART PERFORMER

Eicher Pro 2080XP

The 8.5T GVW Truck



PRO 2000 SERIES

A new generation range of Eicher trucks from 6.25T to 10T with tilted cabin feature that offers enhanced driver comfort & safety and reliability through Volvo Group's expertise.



Next Gen Features

Eicher PRO 2000 Series comes equipped with next gen features that have been thoroughly tested in many regions. These range of trucks have proven to provide the user with the best-in-class fuel efficiency along with unmatched performance.



Superior safety and comfort

These range of trucks come loaded with superior safety and comfort features for making the drive and ride more comfortable for drivers and co-drivers.



Volvo group processes

The manufacturing processes are a manifestation of Volvo Group's global expertise with Eicher's engineering to create an optimum Man-Machine combination.



More Km Per Litre

The new Eicher Pro 2080XP is built to deliver best-in-class fuel efficiency, thereby reducing the overall operational cost and increasing profitability.

With the proven E474 engine and EMS, Pro 2080XP is capable of delivering flat torque over a wide RPM range which prevents frequent gear shift.



Stay ahead with next gen features

- » MBooster+ helps to save fuel on different payload selections
- » Smart Fuel Coaching along with dynamic Green Band Zones is the driver's real-time coach
- » Cruise Control provides a fatigue-free driving experience

Stay ahead with the safest and most reliable truck

- » Stronger and sturdier dual panel cabin
- » Anti roll bars for safer turns on sharp bends
- » Steering mounted controls
- » Infotainment system
- » Sun Visor for both- Driver & Co-driver
- » Central locking system (Manual)
- » Headlamp with DRL for enhanced visibility
- » 3 point ELR seat belt for driver safety



More comfort. Longer drive.

- » 8-degree cooler and lowest noise cabin
- » Walk through cabin for more area
- » Tilt & telescopic steering for better ergonomics
- » 4 stage speed blower
- » Adjustable headrest for driver comfort
- » Inside footrest for dust and water protection



Eicher Pro 2080XP is a new generation 8.5 Tonne GVW truck, designed & developed through Volvo Group's world-class leading processes. Eicher Pro 2080XP gives you unmatched performance with next gen smart features that take care of your daily transportation needs.

